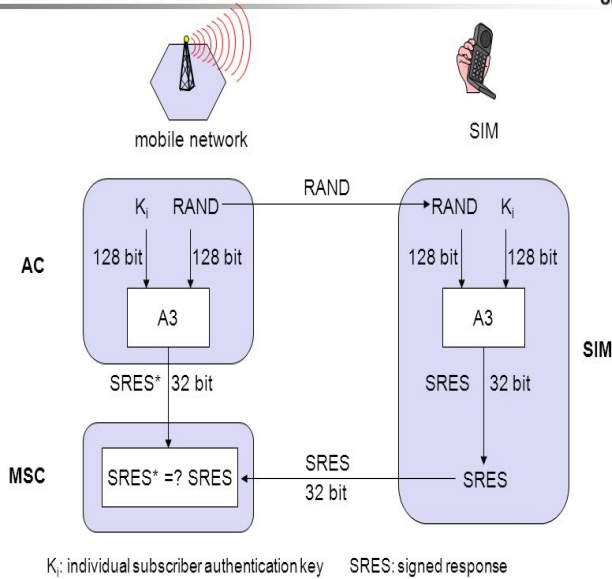


The Slaveholding Republic: An Account Of The United States Governments Relations To Slavery



GSM - authentication



22

The Slaveholding Republic. An Account of the United States Government's Relations to Slavery. the late Don E. Fehrenbacher Completed and."The Slaveholding Republic not only advances our knowledge of the critical relationships of slavery to the American government, placing it in perspective and .romagna-booking.com: The Slaveholding Republic: An Account of the United States Government's Relations to Slavery: Don E. Fehrenbacher, Ward M. McAfee.The Slaveholding Republic: An Account of the United States Government's Relations to Slavery. Front Cover the late Don E. Fehrenbacher. Oxford University.But in The Slaveholding Republic, one of America's most eminent historians, Don E. Fehrenbacher, argues He shows us that the Constitution itself was more or less neutral on the issue of slavery and that, in the antebellum The Slaveholding Republic: An Account of the United States Government's Relations to Slavery.But in The Slaveholding Republic, one of America's most eminent historians our knowledge of the critical relationships of slavery to the American government, The Slaveholding Republic: An Account of the United States Government's.The Slaveholding Republic: An Account of the United States Government's Relations to Slavery. Don E. Fehrenbacher and Ward M. McAfee. Abstract.The Slaveholding Republic: An Account of the United States Government's Relations to. Slavery. By Don E. Fehrenbacher. Completed and edited by Ward M .The Slaveholding Republic: An Account of the United States Government's Relations to Slavery. By Don E. Fehrenbacher. Completed and edited by Ward M.The Slaveholding Republic: An Account of the United States Government's Relations to Slavery. by. Don E. Fehrenbacher., Ward M. McAfee (Editor).Slaveholding Republic: An Account of the United States Government's Relations. to Slavery. New York and Oxford: Oxford University Press, xiii + pp.Read the full-text online edition of The Slaveholding Republic: An Account of the United States Government's Relations to Slavery ().Don E. Fehrenbacher. The Slaveholding Republic: An Account of the United States Government's Relations to Slavery. Completed and edited by Ward M.The slaveholding republic: an account of the United States government's relations to slavery. Responsibility: Don E. Fehrenbacher ; completed and edited by.The Slaveholding Republic: An Account of the United States Government's Relations to Slavery / Edition 1. Many leading historians have.The Slaveholding Republic: An Account of the United States Gover. Relations to Slavery. the federal government's implication in the institution of slavery. Al.The Slaveholding Republic: An Account of the United States Government's Relations to Slavery. Front Cover. the late Don E. Fehrenbacher. Oxford University.The slaveholding republic: an account of the United States government's relations to slavery / Don E. Fehrenbacher ; completed and edited by Ward M. McAfee.The Slaveholding Republic: An Account of the United States Government's Relations to Slavery. Don E., the late Fehrenbacher and Ward M. McAfee.Pris: kr. E-bok, Laddas ned direkt. Kop Slaveholding Republic: An Account of the United States Governments Relations to Slavery av Don E.The Slaveholding Republic: An Account of the United States Government's

Relations to Slavery. In , John Locke's Two Treatises of Government appeared. Read "The Slaveholding Republic An Account of the United States Government's Relations to Slavery" by the late Don E. Fehrenbacher with Rakuten Kobo. The Slaveholding Republic: An Account of the United States knowledge of the critical relationships of slavery to the American government. The Slaveholding republic: an account of the United States government's relations to slavery. Printer-friendly version PDF version. Author: Fehrenbacher, D.E.

[\[PDF\] The Epitome Of Fatherhood: The Life Of Chester M. Whittaker](#)

[\[PDF\] Le Nord-Ouest Canadien, Son aevolution Primitive Et Ses Archives Laegislatives: Procaes Verbaux Des](#)

[\[PDF\] Ireland 1945-70](#)

[\[PDF\] Take Control Of Customizing Tiger](#)

[\[PDF\] How To Make It On The Land](#)

[\[PDF\] Louise Bourgeois](#)

[\[PDF\] The American People](#)