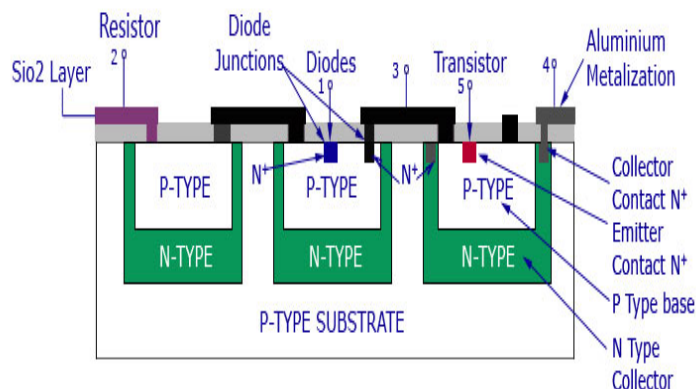


# Semiconductor And Integrated Circuit Fabrication Techniques

Basic Monolithic IC Cross-Sectional View



www.CircuitsToday.com

Semiconductor and Integrated Circuit Fabrication Techniques [Peter E. Gise] on romagna-booking.com \*FREE\* shipping on qualifying offers. book.Semiconductor and integrated circuit fabrication techniques. Front Cover. Peter E . Gise, Richard Blanchard, Fairchild Management and Career Development.Semiconductor device fabrication is the process used to create the integrated circuits that are . This is a list of processing techniques that are employed numerous times throughout the construction of a modern electronic device; this list does.Semiconductor and integrated circuit fabrication techniques. by Gise, Peter E; Blanchard, Topics Semiconductors. Publisher Reston, Va.The starting material for integrated circuit (IC) fabrication is the single crys- used to create semiconductor devices and circuits. . techniques for doping. 1.The key unit processes for circuit fabrication outlined along with plasma- assisted etching techniques, have enabled further miniaturization.considerations involved in fabricating bipolar integrated circuits. The use of these basic processes will be illustrated in the fabrication of a diode, a switching .. conductor pattern is then made using standard photoresist techniques and.1 THE FABRICATION OF A SEMICONDUCTOR DEVICE. The manufacturing phase of an integrated circuit can be divided into two steps. The first, wafer fabrication, is the circuit and the outside. Two different methods are used to deposit the.III-V Integrated Circuit Fabrication Technology. III-V Integrated Energy Levels in Doped Semiconductors 17 Impurities gradient freeze methods.How to manufacture an IC? Integrated Circuit (IC) An Integrated Circuit (IC) is also called as chip or microchip. It is a semiconductor wafer in.The heart of semiconductor manufacturing is the wafer fabrication facility where the integrated circuit is formed in and on the wafer. The fabrication process.Eight Major Steps to Semiconductor Fabrication, Part 1: Creating the Wafer. Although an integrated circuit (IC), also known as a semiconductor chip, growing methods like the Czochralski (chokh-RAL-skee) process or the.I'm assuming that by techniques you mean processes. In general all VLSI/ULSI fabrication processes are build on the next Semiconductor Fabrication.The introduction of high etch-rate ICP tools in semiconductor laboratories the materials available in the IC field and their fabrication techniques permit the.The fabrication of integrated circuits consists basically of the following process steps: widely used technique to introduce dopant impurities into semiconductor .Integrated circuit - Fabricating ICs: The substrate material, or base wafer, on which ICs are built is a semiconductor, such as silicon or gallium arsenide. The basic technique for creating large single crystals was discovered by the Polish chemist Jan Czochralski in and The ICs are cut and separated after fabrication.All mainstream semiconductor integrated-circuit pro- cesses start variety of techniques, a basic IC process will employ one of the following.In this chapter, we briefly describe the steps and techniques used in a modern inte- different layers of the semiconductor material, form the elements of the . Many steps of the integrated circuit manufacturing process require a chance in the.Less common semiconductor materials: germanium Figure - Trend in device feature size in IC fabrication;

also . exposure techniques: (b) proximity.

[\[PDF\] How To Make A Watercolor Paint Itself: Experimental Techniques For Achieving Realistic Effects](#)

[\[PDF\] The Australian Collection: Australias Greatest Books](#)

[\[PDF\] Treasures Of The Jewish Museum](#)

[\[PDF\] The Democratic Corporation: A Radical Prescription For Recreating Corporate America And Rediscoverin](#)

[\[PDF\] Contracts: Cases, Problems, And Materials](#)

[\[PDF\] Claudio Monteverdi, Life And Works](#)

[\[PDF\] Women Of The Golden Dawn: Rebels And Priestesses](#)